

QLAS-4000-8000-38-11

4~8GHz, 38dB, 1.1dB

Features:
 * Broadband
 * Low Noise

Applications:
 * Wireless
 * Receiver
 * Laboratory Test
 * Radar



Electrical

Frequency:	4~8GHz
Gain:	38dB typ.
Gain Flatness:	±1dB typ.
Output Power (P1dB):	18dBm min.
Noise Figure:	1.1dB typ.
Spurious:	-60dBc max.
VSWR:	1.6 typ.
Voltage:	+85~+265V AC
Current:	200mA typ.
Impedance:	50Ω

Mechanical

Size*2:	136*186*52mm 5.354*7.323*2.047in
RF Connectors:	SMA Female

[2] Exclude connectors, rack mount brackets, handles.

Environmental

Operating Temperature:	-20~+50°C
Non-operating Temperature:	-40~+85°C

How To Order

QLAS-4000-8000-38-11

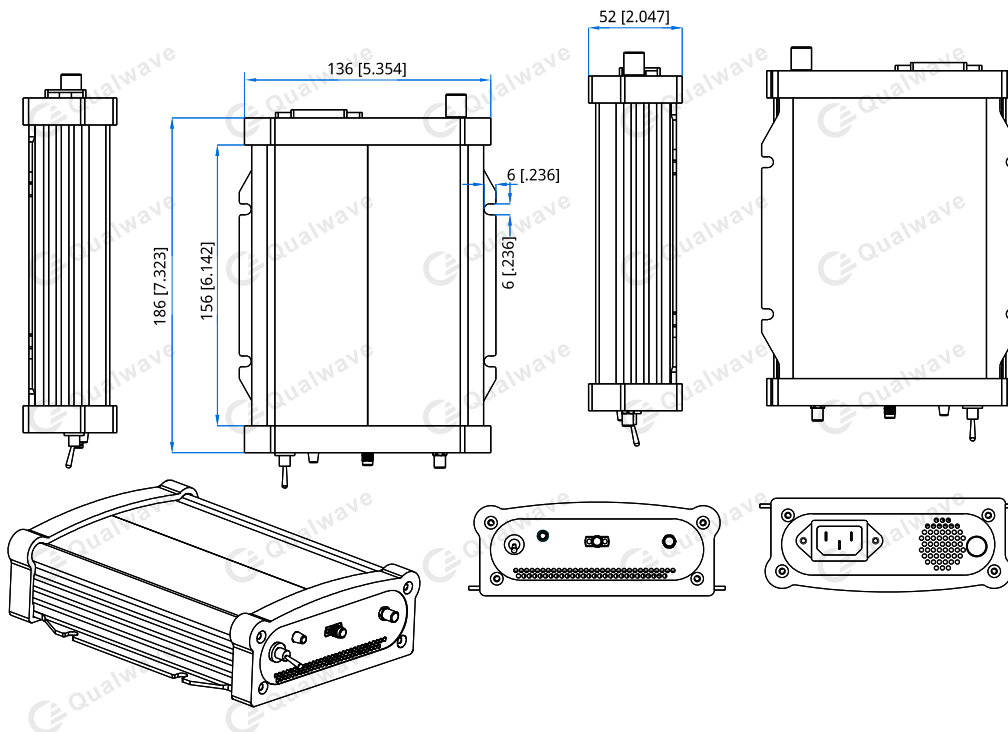
Customization is available upon request.

Absolute Maximum Ratings*1

RF Input Power: +20dBm

[1] Permanent damage may occur if any of these limits are exceeded.

Outline Drawings



Unit: mm [in]

Tolerance: ±0.5mm [±0.02in]