

QLAS-6000-12000-23-13

6~12GHz, 23dB, 1.3dB

Features:
 * Broadband
 * Low Noise

Applications:
 * Wireless
 * Receiver
 * Laboratory Test
 * Radar



Electrical

Frequency:	6~12GHz
Small Signal Gain:	23dB typ.
Gain Flatness:	±1dB typ.
Output Power (P1dB):	14dBm typ.
Noise Figure:	1.3dB typ.
Spurious:	-60dBc max.
VSWR:	1.45 typ.
Voltage:	+85~+265V AC
Impedance:	50Ω

Mechanical

Size*2: 136*186*52mm
 5.354*7.323*2.047in

RF Connectors: SMA Female

[2] Exclude connectors, rack mount brackets, handles.

Environmental

Operating Temperature: -20~+50°C

Non-operating Temperature: -40~+85°C

Absolute Maximum Ratings*1

RF Input Power: +20dBm

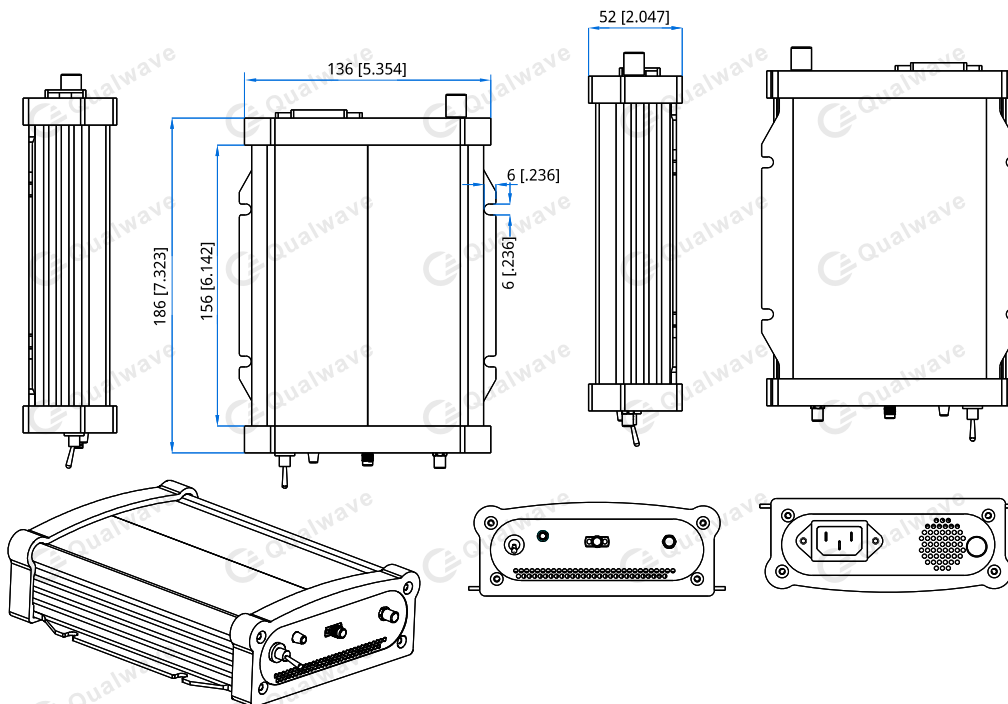
[1] Permanent damage may occur if any of these limits are exceeded.

How To Order

QLAS-6000-12000-23-13

Customization is available upon request.

Outline Drawings



Unit: mm [in]

Tolerance: ±0.2mm [±0.008in]