

# QLAS-6000-18000-38-15

6~18GHz, 38dB, 1.5dB

**Features:**

- \* Broadband
- \* Low Noise

**Applications:**

- \* Wireless
- \* Receiver
- \* Laboratory Test
- \* Radar


**Electrical**

Frequency:	6~18GHz
Gain:	38dB typ.
Gain Flatness:	±1.5dB typ.
Output Power (P1dB):	18dBm typ.
Noise Figure:	1.5dB typ.
Spurious:	-60dBc max.
VSWR:	1.6 typ.
Voltage:	+85~+265V AC
Current:	200mA typ.
Impedance:	50Ω

**Mechanical**

Size*2:	136*186*52mm
	5.354*7.323*2.047in
RF Connectors:	SMA Female

[2] Exclude connectors, rack mount brackets, handles.

**Environmental**

Operating Temperature:	-20~+50°C
Non-operating Temperature:	-40~+85°C

**How To Order**

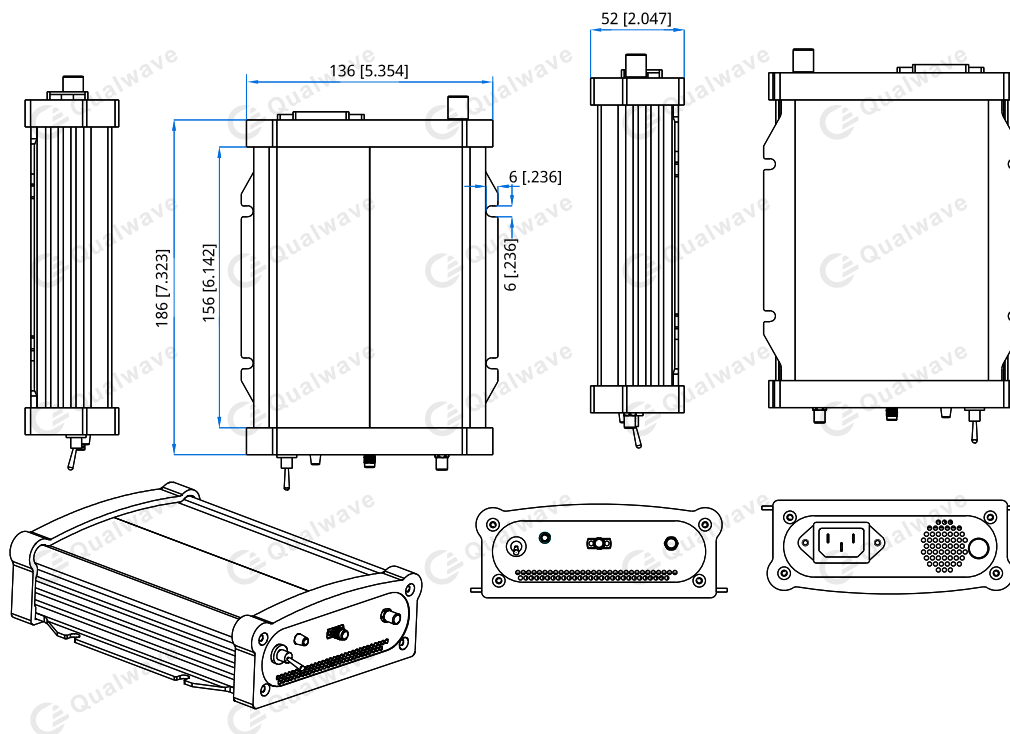
**QLAS-6000-18000-38-15**

Customization is available upon request.

**Absolute Maximum Ratings\*1**

RF Input Power: +20dBm

[1] Permanent damage may occur if any of these limits are exceeded.

**Outline Drawings**


Unit: mm [in]

Tolerance: ±0.5mm [±0.02in]