

QLAS-8000-18000-24-15

8~18GHz, 24dB, 1.5dB

Features:

- * Broadband
- * Low Noise

Applications:

- * Wireless
- * Receiver
- * Laboratory Test
- * Radar


Electrical

Frequency:	8~18GHz
Small Signal Gain:	24dB typ.
Gain Flatness:	±1.5dB typ.
Output Power (P1dB):	14dBm typ.
Noise Figure:	1.5dB typ.
Spurious:	-60dBc max.
VSWR:	1.45 typ.
Voltage:	+85~+265V AC
Impedance:	50Ω

Mechanical

Size*2: 136*186*52mm
5.354*7.323*2.047in

RF Connectors: SMA Female

[2] Exclude connectors, rack mount brackets, handles.

Environmental

Operating Temperature: -20~+50°C

Non-operating Temperature: -40~+85°C

Absolute Maximum Ratings*1

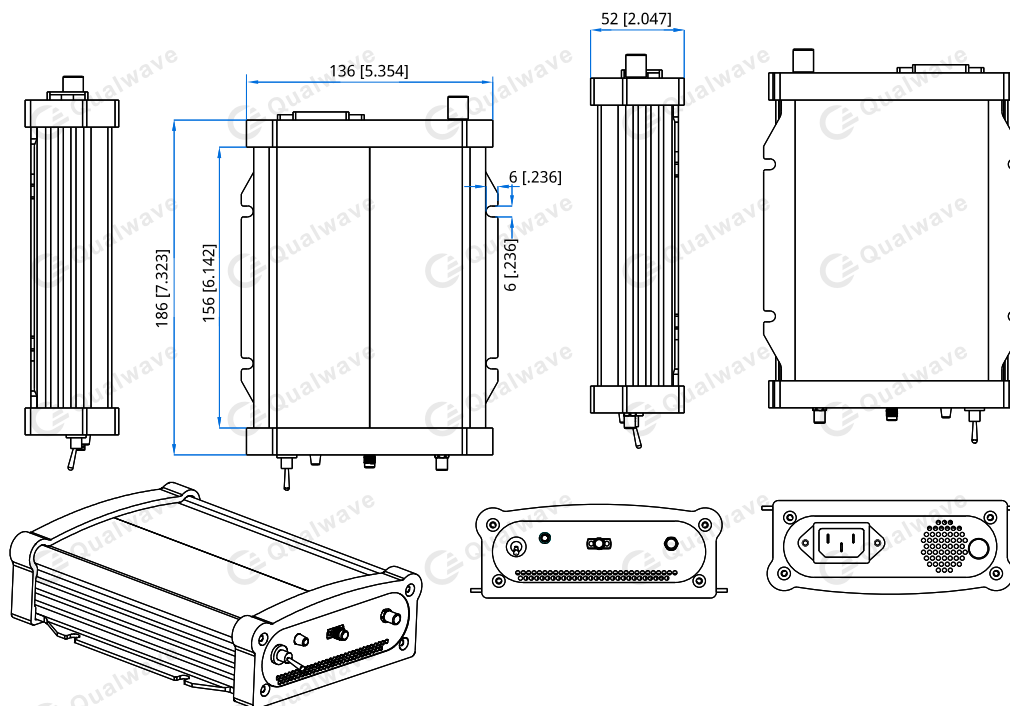
RF Input Power: +20dBm

[1] Permanent damage may occur if any of these limits are exceeded.

How To Order

QLAS-8000-18000-24-15

Customization is available upon request.

Outline Drawings


Unit: mm [in]

Tolerance: ±0.2mm [±0.008in]