

## QLF-13500-50

DC~13.5GHz, 50dB

**Features:**

- \* High Stopband Rejection
- \* Small Size

**Applications:**

- \* Telecom
- \* Laboratory Test
- \* Receivers
- \* Instrumentation

**Electrical**

Frequency:	DC~13.5GHz
Insertion Loss:	1dB max. @DC~13.2GHz 2dB max. @13.2~13.5GHz
VSWR:	1.5 max.
Stop Band Attenuation:	50dB min. @14.7~21.3GHz
Average Power:	15W max.
Impedance:	50Ω

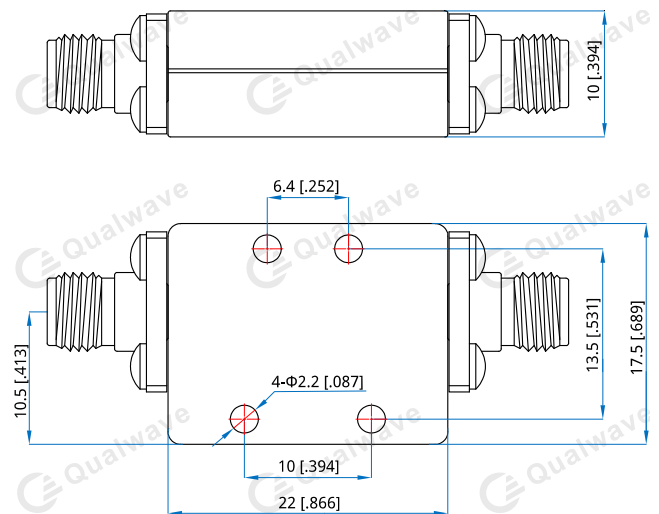
**Mechanical**

Size* <sup>1</sup> :	22*17.5*10mm 0.866*0.689*0.394in
RF Connectors:	SMA Female
Mounting:	4-Φ2.2mm through-hole

[1] Exclude connectors

**Environmental**

Operating Temperature:	-55~+85°C
------------------------	-----------

**Outline Drawings**


Unit: mm [in]

Tolerance: ±0.3mm [±0.012in]

**How To Order**

**QLF-13500-50**

Customization is available upon request.