

QPA-800-2000-42-43S

0.8~2GHz, 42dB, 43dBm

Features:

- * Small Size
- * Low Power Consumption

Applications:

- * Wireless
- * Transmitter
- * Laboratory Test

Electrical

Frequency:	0.8~2GHz
Small Signal Gain:	42dB min.
Gain Flatness:	2±1dB max.
Output Power (Psat):	43dBm min.
Output Power (P1dB):	39dBm min.
Input Power:	3dBm
	+6dBm max.
Spurious:	-65dBc max.
Harmonic:	-10dBc min.
Input VSWR:	2 max.
Voltage:	28~32V/5A VCC (Reference)
	+32V max.
PTT:	3.3~5V (On)
Current:	2.8A max
Impedance:	50Ω

Mechanical

Size ^{*1} :	174.6*77.8*26.5mm 6.874*3.063*1.043in
Weight:	520g
RF Connectors:	SMA Female
Power Supply Connectors ^{*2} :	Feed Through/Terminal Post
Mounting:	4-Φ3.2mm through-hole

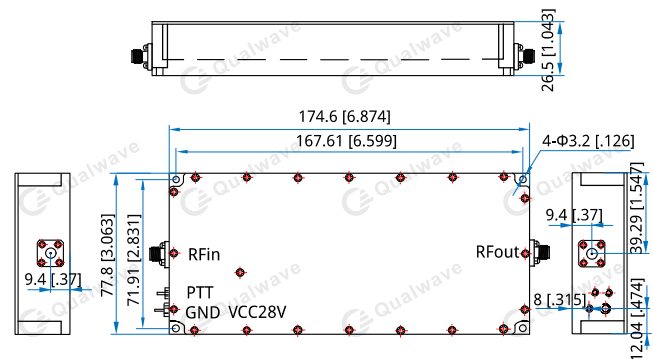
[1] Exclude connectors.

[2] Install heat sink during testing.

Environmental

Operating Temperature: -30~+55°C

Outline Drawings



Unit: mm [in]

Tolerance: ±0.2mm [±0.008in]

How To Order

QPA-800-2000-42-43S

Customization is available upon request.