

QRC8-2000-6000-K8-7N

8-Way, 2~6GHz, 800W

Features:

- * Small Size
- * Low Insertion Loss
- * High Reliability

Applications:

- * Radar System
- * Communication System
- * Power Amplifier System
- * Test System

Electrical

Frequency:	2~6GHz
Insertion Loss:	1dB max.
VSWR:	1.6 max.
Amplitude Balance:	±0.6dB max.
Phase Balance:	±8° max.
Impedance:	50Ω
Power @SUM Port:	800W as combiner

Mechanical

Size*1: 110*70*70mm
4.331*2.756*2.756in

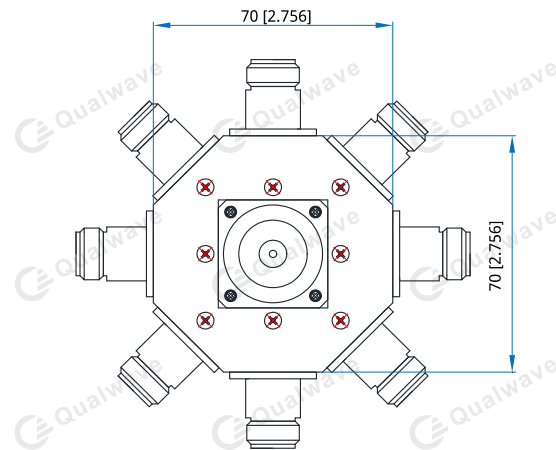
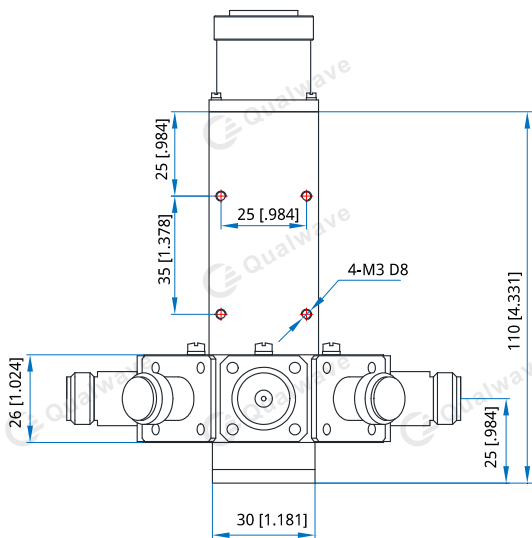
Connectors: 7/16 DIN female, N female

[1] Exclude connectors.

Environmental

Operation Temperature: -55~+85°C

Outline Drawings



Unit: mm [in]

Tolerance: ±0.2mm [±0.008in]

*Ensure dimensions for design.

How To Order

QRC8-2000-6000-K8-7N

Customization is available upon request.