

QRJ1-67000-14

Single Channel, DC~67GHz, 14.5mm

Features:

- * Low VSWR
- * Low VSWR Flatness
- * Low Insertion Loss Flatness

Applications:

- * High Speed Digital Signal Transmission
- * Analog Signal Transmission

Electrical

Frequency:	DC~67GHz
VSWR:	2.6 max.
VSWR Flatness:	0.4 max.
Insertion Loss:	2.5dB max.
Insertion Loss Flatness:	0.35dB max.
Average Power:	10W max. @DC~10GHz 5W max. @10~26GHz 3W max. @26~50GHz 1W max. @50~67GHz
IP Grade:	IP41

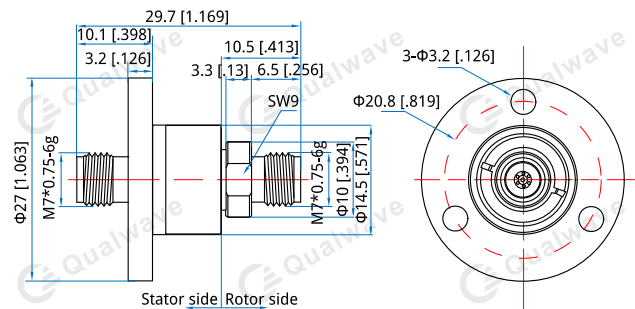
Mechanical

Connectors:	1.85mm female
Rotating Speed:	60RPM max.
Torque:	0.3 N.m max.
Operation Life:	5M Cycles

Environmental

Operating Temperature:	-40~+70°C
Non-operating Temperature:	-55~+85°C
Operating Humidity:	95% max.

Outline Drawings



Unit: mm [in]

Tolerance: ±0.1mm [±0.004in]

How To Order

QRJ1-67000-14

Customization is available upon request.