

QRJ4-8000-50

Channel 1, 2, 3, DC~8GHz, Channel 4, DC~6GHz, 50mm

Features:	Applications:
* Low VSWR	* High Speed Digital Signal
* Low VSWR Flatness	Transmission
* Low Insertion Loss Flatness	* Analog Signal Transmission

Electrical

Frequency (Channel 1, 2, 3):	DC~8GHz
(Channel 4):	DC~6GHz
VSWR:	1.5 max.
VSWR Flatness:	0.1 max.
Insertion Loss:	1.4dB max.
Insertion Loss Flatness:	0.15dB
Isolation:	70dB min.
Average Power:	10W
IP Grade:	IP65

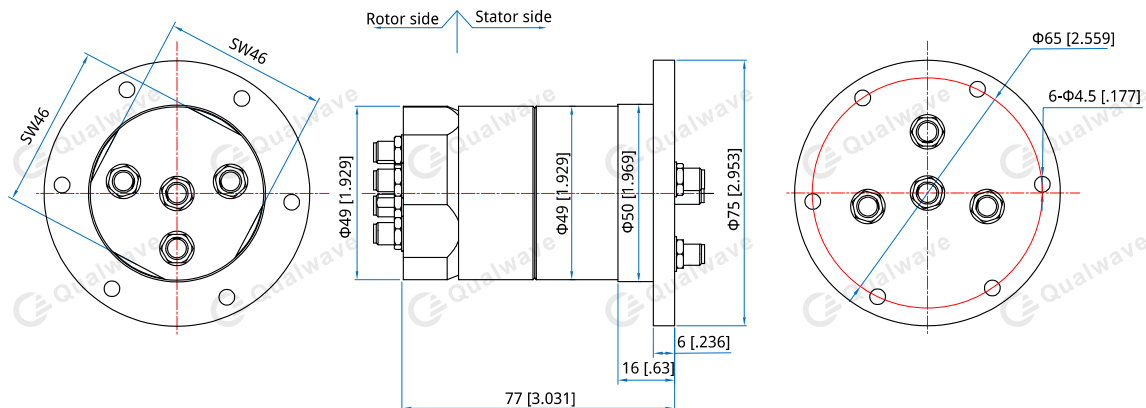
Mechanical

Connectors:	SMA female
Rotating Speed:	60RPM max.
Torque:	0.5Nm max.
Operation Life:	5M Cycles min.

Environmental

Operating Temperature:	-40~+65°C
Non-operation Temperature:	-50~+70°C

Outline Drawings



Unit: mm [in]
Tolerance: ±0.5mm [±0.02in]

How To Order

QRJ4-8000-50

Customization is available upon request.