

QWRJ1-10000-45-I-A

Single Channel, 8.5~10GHz, 45mm, I-type

Features:	Applications:
* Low VSWR	* High Speed Digital Signal
* Low VSWR Flatness	Transmission
* Low Insertion Loss Flatness	* Analog Signal Transmission

Electrical

Frequency:	8.5~10GHz
VSWR:	1.15 max.
VSWR Flatness:	±0.05 max.
Insertion Loss:	0.2dB max.
Insertion Loss Flatness:	±0.05 dB max.
Phase Balance:	±2°
Average Power:	1KW
Peak Power:	25KW

Mechanical

Interface:	WR-90 (BJ100)
Flange:	FBP100
Withstand Air Pressure:	0.2MPa
Material:	Aluminium
Finish:	Conductive oxidation
Coating:	Black paint
Style:	I-type

Environmental

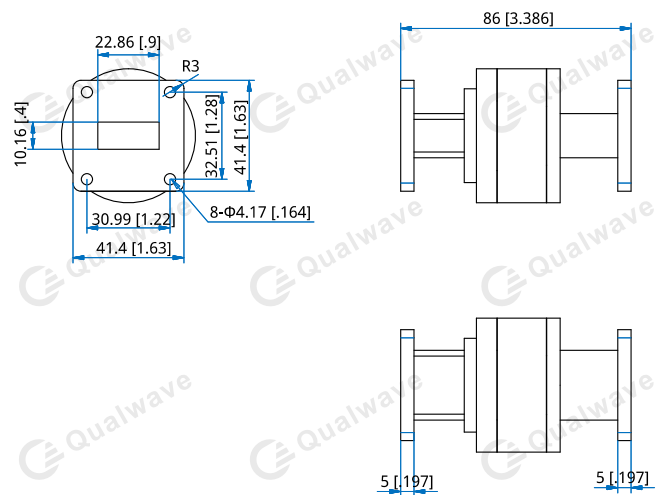
Temperature:	-40~+85
--------------	---------

How To Order

QWRJ1-10000-45-I-A

Customization is available upon request.

Outline Drawings



Unit: mm [in]
Tolerance: ±0.2mm [±0.008in]