

# QWRJ1-2600-X-I-C

## Single Channel, 1.7~2.6GHz, Xmm, I-type

<b>Features:</b>	<b>Applications:</b>
* Low VSWR	* High Speed Digital Signal Transmission
* Low VSWR Flatness	* Analog Signal Transmission
* Low Insertion Loss Flatness	

### Electrical

Frequency:	1.7~2.6GHz
VSWR:	1.25 max.
VSWR Flatness:	0.1dB max.
Insertion Loss:	0.2dB max.
Insertion Loss Flatness:	0.05dB max.
Repetition Frequency:	20Hz
Phase Balance:	$\pm 3^\circ$
Average Power:	3200W max.
Peak Power:	2GW max. (8ns pulse width)
IP Grade:	IP41

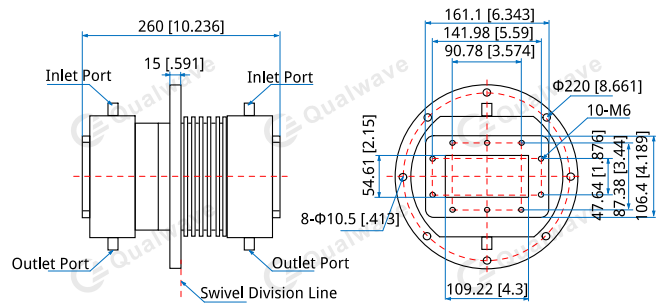
### Mechanical

Interface:	WR-430 (BJ22)
Flange:	FDP22
Material:	Copper alloy
Rotating Speed:	20RPM max.
Starting Torque:	1Nm max.
Rated Continuous Torque:	0.8Nm max.
Operation Life:	3M cycles min.
Style:	I-type

### Environmental

Temperature:	-40~+60°C
Operating Humidity:	95% max.

### Outline Drawings



Unit: mm [in]  
Tolerance:  $\pm 0.2\text{mm}$  [ $\pm 0.008\text{in}$ ]

### How To Order

#### QWRJ1-2600-X-I-C

Customization is available upon request.