

QCG3S-MO-M23-01

SMPS Connector, DC~60GHz

Features:
* Low VSWR

Applications:
* Wireless
* Radar
* Instruments
* Electronics

Electrical

Frequency: DC~60GHz
 Impedance of Dielectric: 1000M Ω (500V DC) min.
 Voltage Withstand^{*1}: 325V
 Impedance: 50 Ω

[1] 50Hz, AC RMS, at sea level.

Mechanical

RF Connector^{*2}: SMPS male
 Mating Life Cycle: 500 cycles
 Detent Mode: Smooth bore
 Outer Conductor: Gold-plated and nickel-plated kovar alloy (4J29)
 Dielectric: Glass
 Inner Conductor: Gold-plated and nickel-plated kovar alloy (4J29)

[2] Mateable with SSSMP & G3PO.

Environmental

Temperature: -65~+165°C
 Seal: 1.013*10⁻³ Pa.cm³/s (He) max.
 Salt Fog^{*3}: 48h min.

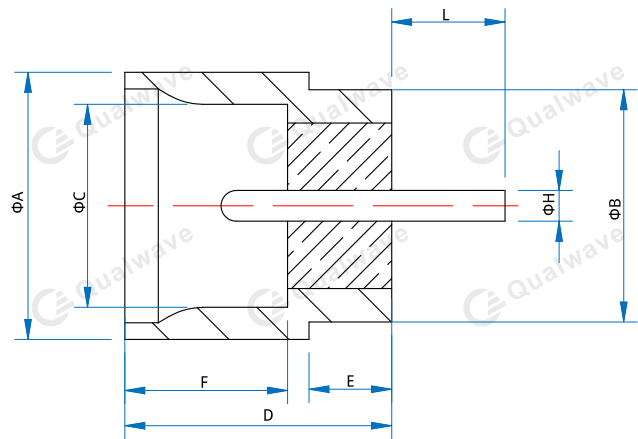
[3] According to customer requirements, it can reach 96 hours.

How To Order

QCG3S-MO-M23-01

Customization is available upon request.

Outline Drawings



Unit: mm [in]

Tolerance: $\pm 0.2\text{mm}$ [$\pm 0.008\text{in}$]

A	B	C	D	E	F	H	L
2	1.74	1.52	2	0.62	1.22	0.23	0.85
[.079]	[.069]	[.06]	[.079]	[.024]	[.048]	[.009]	[.033]