

QCGS-MTO-M30-01

SSMP Connector, DC~45GHz

Features:
* Low VSWR

Applications:
* Wireless
* Radar
* Instruments
* Electronics

Electrical

Frequency: DC~45GHz
 Impedance of Dielectric: 1000M Ω (500V DC) min.
 Voltage Withstand*1: 325V
 Impedance: 50 Ω

[1] 50Hz, AC RMS, at sea level.

Mechanical

RF Connector*2: SSMP male
 Mating Life Cycle: 500 cycles
 Detent Mode: Smooth bore
 Outer Conductor: Gold-plated and nickel-plated kovar alloy (4J29)
 Dielectric: Glass
 Inner Conductor: Gold-plated and nickel-plated kovar alloy (4J29)

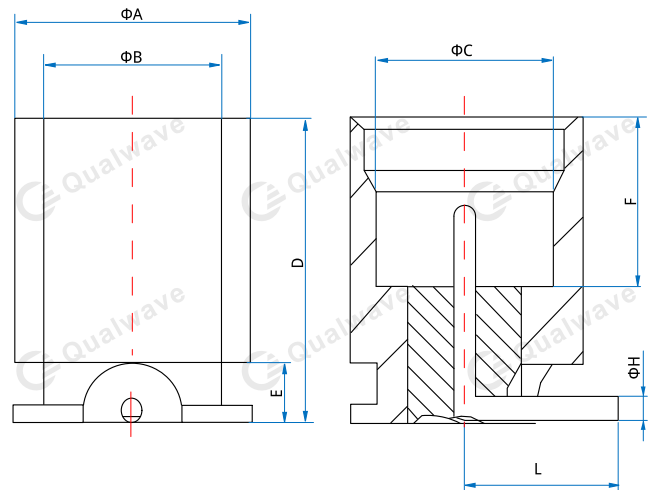
[2] Mateable with GPP0, SMPM & Mini-SMP.

Environmental

Temperature: -65~+165°C
 Seal: 1.013*10⁻³ Pa.cm³/s (He) max.
 Salt Fog*3: 48h min.

[3] According to customer requirements, it can reach 96 hours.

Outline Drawings



Unit: mm [in]

Tolerance: $\pm 0.2\text{mm}$ [$\pm 0.008\text{in}$]

A	B	C	D	E	F	H	L
4.2 [.165]	3.2 [.126]	3.17 [.125]	5.1 [.201]	1 [.039]	2.8 [.11]	0.3 [0.012]	2.75 [.108]

How To Order

QCGS-MTO-M30-01

Customization is available upon request.