

QWBF-7250-7750-120

7.25~7.75GHz, 120dB

Features:

- * High Stopband Rejection
- * Small Size
- * Light Weight
- * Anti 5G Interference

Applications:

- * Telecommunication
- * Laboratory Test
- * Receivers
- * Satellite Earth Station

Electrical

| | |
|--------------------------|------------------------|
| Input RF Frequency: | 7.25~7.75GHz |
| Passband Insertion Loss: | 0.4dB max. |
| VSWR: | 1.2 max. |
| Stopband Attenuation: | 120dB min. @7.9~8.4GHz |
| Impedance: | 50Ω |

Mechanical

| | |
|------------|---|
| Size: | 300*47.8*47.8mm 11.811*1.882*1.882in |
| Waveguide: | WR-112 (BJ84) with FBP84 |
| Coating: | Black paint |
| Finish: | Conductive oxidation |

How To Order

QWBF-7250-7750-120-X-Y-Z

X: Connector type

Y: Material

Z: Flange type

Connector naming rules:

112 - WR-112

Material naming rules:

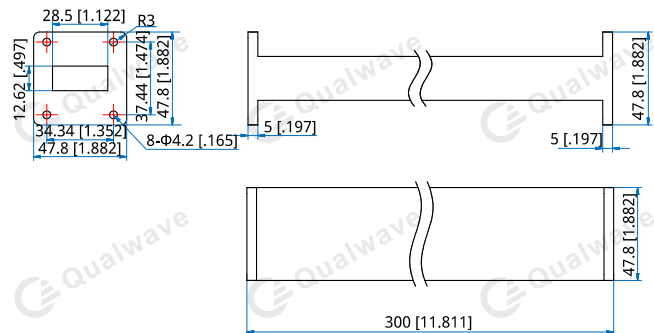
A - Aluminium

Flange naming rules:

1 - FBP

Examples:

To order a Waveguide Band Pass Filter, 7.25~7.75GHz, 120dB, WR-112, Aluminium, FBP84 to FBP84, specify QWBF-7250-7750-120-112-A-1-1.

Outline Drawings


Unit: mm [in]

Tolerance: ±0.5mm [±0.02in]

Customization is available upon request.