

QWCSD-90-S

DPDT, DC~18GHz, WR-90, SMA

- Features:**
 * Low VSWR
 * Low Insertion Loss
 * High Isolation

- Applications:**
 * Wireless
 * Transmitter
 * Laboratory Test
 * Radar

Electrical

Frequency(Coaxial):	DC~18GHz
Frequency(Waveguide):	8.2~12.4GHz
Current:	1.2A@24V DC
Voltage:	24±2V DC
Impedance:	50Ω

Coaxial Switch

Frequency range (GHz)	Insertion Loss (dB Max.)	Isolation (dB Min.)	VSWR (Max.)
DC-1	0.05	80	1.1
1-2	0.1	70	1.15
2-6.5	0.25	60	1.25
6.5-11	0.3	60	1.3
11-15	0.35	50	1.35
15-18	0.5	50	1.5

Waveguide Switch

Frequency range (GHz)	Insertion Loss (dB Max.)	Isolation (dB Min.)	VSWR (Max.)
8.2~12.4	0.05	60	1.05

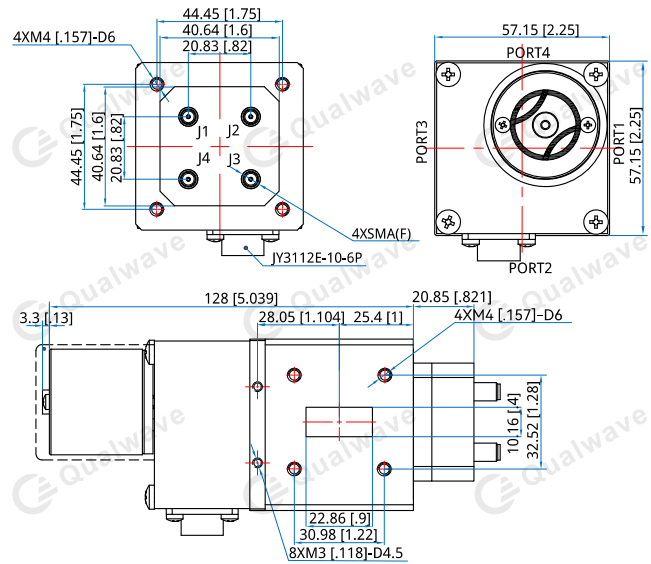
Mechanical

Coaxial Switch Interface:	SMA
Waveguide Switch Interface:	WR-90
Switching Time:	80mS
Operation Life:	0.1M Cycles

Environmental

Operating Temperature:	-40~+85°C
Extended Temperature:	-55~+85°C
Non-operating temperature:	-55~+105°C

Outline Drawings



Unit: mm [in]
 Tolerance: ±0.2mm [±0.008in]

Additional Options

- TTL: T
- Indicators: I
- Extended Temperature: Z

How To Order

QWCSD-90-S-XYZ

- S: RF Connectors. SMA: S.
- X: Voltage. +15V: F, +24V: K.
- Y: Interface Circular connector:2.
- Z: Additional Options.

Examples:

To order a Waveguide Coaxial Switch, DPDT, WR90, SMA, +24V, TTL, Indicators, specify QWCSD-90-S-K2IT.

Customization is available upon request.

Pin Numbering

Pin	Function	Pin	Function
A	VDC	D	Indicator1
B	GND	E	Indicator (COM)
C	VDC	F	Indicator2

Control Logic

Position	A	B	C	RF Working Condition	Indicator status
POS 1	VDC	GND	NC	PORT1-PORT2 ON PORT3-PORT4 ON	J1-J2 ON J3-J4 ON D-E ON F-E OPEN
POS 2	NC	GND	VDC	PORT1-PORT4 ON PORT3-PORT2 ON	J1-J4 ON J3-J2 ON D-E OPEN F-E ON

Driving Schematic Diagram

