

QWPD2-73800-11200-K3-10

2-Way, 73.8~112GHz, 300W, WR-10

Features:
 * Small Size
 * Low Insertion Loss

Applications:
 * Amplifiers
 * Mixers
 * Antennas
 * Laboratory Test

Electrical

Frequency:	73.8~112GHz
Insertion Loss:	0.5dB max.
VSWR:	1.3 max.
Phase Balance:	±5°
Power @SUM Port:	300W as divider 300W as combiner

Mechanical

Waveguide Size:	WR-10 (BJ900)
Flange:	FUGP900
Material:	Copper
Finish:	Gold-plating

Environmental

Operating Temperature: -40~+125°C

How To Order

QWPD2-73800-11200-K3-10-Y-Z

Y: Material
 Z: Flange type

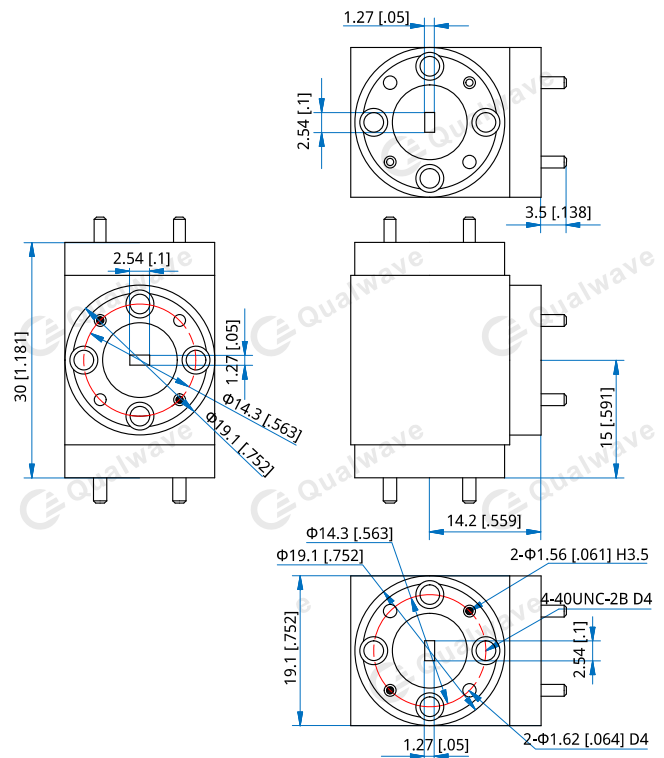
Material naming rules:
 C - Copper

Flange naming rules:
 12 - UG-387/UM mateable with FUGP900

Examples:
 To order a 2-way waveguide power divider, 73.8~112GHz, 300W, WR-10, Copper, FUGP900, specify QWPD2-73800-11200-K3-10-C-12.

Customization is available upon request.

Outline Drawings



Unit: mm [in]
 Tolerance: ±0.5mm [±0.02in]