

QWCA-42-S

WR-42 to SMA

Features:
* Low VSWR

Applications:
* Wireless
* Transmitter
* Laboratory Test
* Radar

Electrical

Frequency: 17.6~26.7GHz
VSWR: 1.2 max.

Mechanical

Coax Connectors: SMA
Waveguide Size: WR-42 (BJ220)
Flange: FBP220
Material: Brass
Aluminium (end launch)

Environmental

Operating Temperature: -70~+165°C

How To Order

QWCA-42-X-Y-Z

X: Connector type.

Y: Configuration type.

Z: Flange type if applicable.

Connector naming rules:

S - S Male (Outline A, Outline B)

SF - S Female (Outline A, Outline B)

Configuration naming rules:

E - End launch (Outline B)

R - Right angle (Outline A)

Flange naming rules:

1 - FBP (Outline A, Outline B)

2 - FDP

3 - FBM

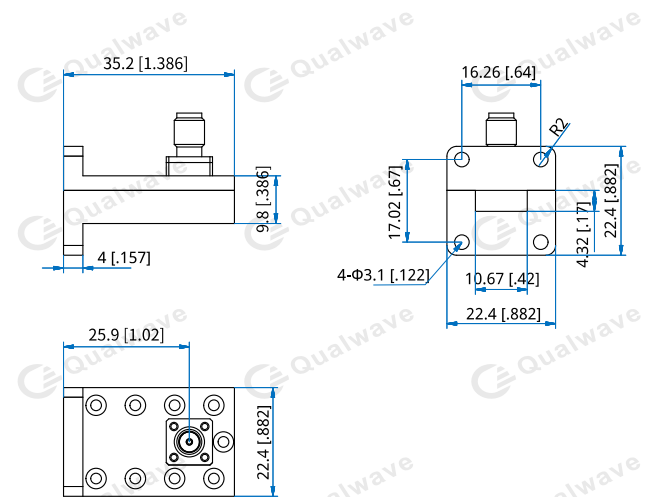
4 - FDM

Examples:

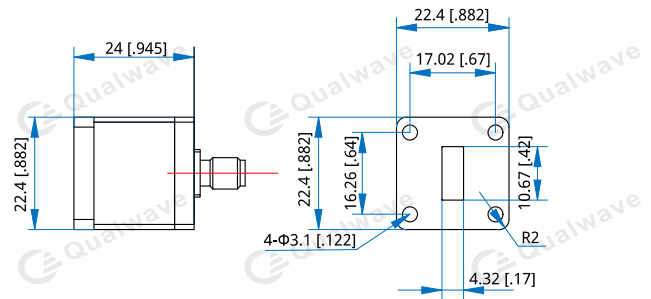
To order a waveguide to coax adapter, WR-42 to SMA female, right angle, FBP, specify QWCA-42-SF-R-1.

Customization is available upon request.

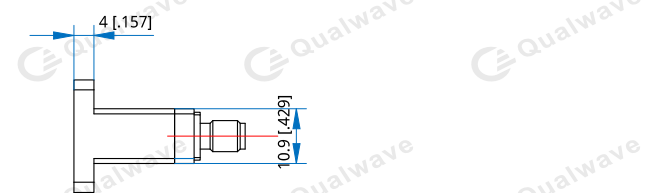
Outline Drawings



Outline A



Outline B



Outline B

Unit: mm [in]

Tolerance: ±0.2mm [±0.008in]