

QWCA-90-T WR-90 to TNC

Features:
* Low VSWR

Applications:
* Wireless
* Transmitter
* Laboratory Test
* Radar

Electrical

Frequency: 8.2~12.5GHz
VSWR: 1.2 max.

Configuration	Insertion Loss (dB max.)	Peak Power (W min.)	Average Power (W min.)
End launch	0.5	450	150
Right angle	0.3	-	-

Mechanical

Coax Connectors: TNC
Waveguide Size: WR-90 (BJ100)
Flange: FBP100
Material: Aluminium

How To Order

QWCA-90-X-Y-Z

X : Connector type.
Y : Configuration type.
Z : Flange type if applicable

Connector naming rules:

T - TNC Male (Outline A, OutlineB)
TF - TNC Female (Outline A, OutlineB)

Configuration naming rules:

R - Right angle (Outline A)
E - End launch (Outline B)

Flange naming rules:

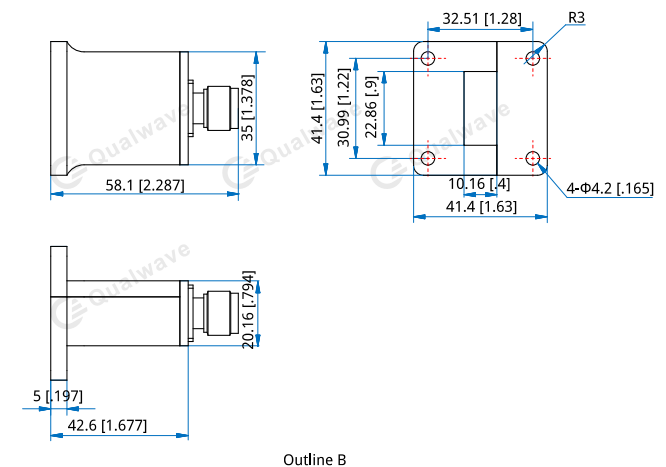
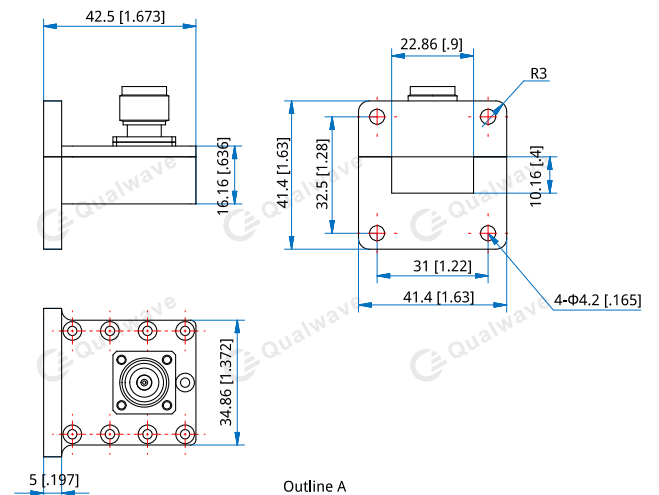
1 - FBP (Outline A, Outline B)
2 - FDP
3 - FBM
4 - FDM

Examples:

To order a waveguide to coax adapter, WR-90 to TNC female, right angle, FBP, specify QWCA-90-TF-R-1.

Customization is available upon request.

Outline Drawings



Unit: mm [in]
Tolerance: ±0.2mm [±0.008in]